

Brocade 10Gb CNA for IBM System x

IBM System x at-a-glance guide

The Brocade 10Gb CNA for IBM System x is a PCI Express 2.0 x8 10Gb Converged Network Adapter with two SFP+ cages. The adapter can support either an SFP+ Multimode Fiber SR optical module or an SFP+ active copper cable.

This adapter supports 10 Gbps per port maximum bidirectional throughput for high-bandwidth storage (SAN) and networking (LAN) traffic, with full hardware offload for Fibre Channel over Ethernet (FCoE) protocol processing. The PCI Express low profile form factor adapter can be used in either a standard PCI-E slot or a low profile PCI-E slot.

Figure 1 shows the Brocade 10Gb CNA for IBM System x.



Figure 1. Brocade 10Gb CNA for IBM System x

Did You Know?

Convergence of SAN and LAN traffic on a single adapter and wire helps lower the total cost of ownership (TCO) by reducing the reduced hardware, power, cooling, management, and maintenance costs. It offers investment protection by providing seamless compatibility with existing Fibre Channel (FC) Storage, ethernet networks, driver software, and management applications.

Part number information

Table 1. Ordering part number and feature code

Description	Part number	Feature code
Brocade 10Gb CNA for IBM System x	42C1820	1637
Brocade 10Gb SFP+ SR Optical Transceiver	49Y4216	0069

The part number for the Brocade 10Gb CNA includes the following items:

- One Brocade 10Gb CNA for IBM System x
- 2U bracket
- Support CD and safety flyer

The adapter supports either transceivers or twin-ax direct-attached copper cables as listed in Table 2.

Table 2. Supported Transceivers and DACs

Description	Option part number
Optical Transceivers	
Brocade 10Gb SFP+ SR Optical Transceiver	49Y4216
Active DAC/Twinax cables	
IBM Twinax Direct Attach Cable (DAC) 1m	45W2398
IBM Twinax Direct Attach Cable (DAC) 1m (8-pack)	45W2401
IBM Twinax Direct Attach Cable (DAC) 3m	45W2408
IBM Twinax Direct Attach Cable (DAC) 3m (8-pack)	45W2409
IBM Twinax Direct Attach Cable (DAC) 5m	45W3039
IBM Twinax Direct Attach Cable (DAC) 5m (8-pack)	45W3042
Active DAC Cable, 1 m Act 10 Gb Ethernet	46K6182
Active DAC Cable, 3 m Act 10 Gb Ethernet	46K6183
Active DAC Cable, 5 m Act 10 Gb Ethernet	46K6184
Passive DAC/Twinax cables	
IBM 1M Passive DAC-SFP+ Cable	90Y9427
IBM 3M Passive DAC-SFP+ Cable	90Y9430
IBM 5M Passive DAC-SFP+ Cable	90Y9433
IBM 8.5M Passive DAC-SFP+ Cable	90Y9436
0.5m Molex Direct Attach Copper SFP+ Cable	59Y1932
1m Molex Direct Attach Copper SFP+ Cable	59Y1936
3m Molex Direct Attach Copper SFP+ Cable	59Y1940
7m Molex Direct Attach Copper SFP+ Cable	59Y1944

Features

The Brocade 10Gb CNA for IBM System x has the following features:

- PCI Express x8 2.0 Generation 2 compliance
- Two SFP+ cages for either SFP+ Fiber SR or SFP+ Active Copper
- Standard PCI Express half length card with low profile form factor
- Support for both standard PCI-E slot and low profile PCI-E slot
- Support for 10Gb Converged Enhanced Ethernet (CEE)
- Support for FC over Converged Enhanced Ethernet (FCoCEE)
- Full hardware offload for FC protocol processing
- Support for IPv4 and IPv6
- Support for SAN boot over CEE, PXE boot, and iSCSI boot

The Brocade 10Gb SFP+ SR Optical Transceiver has the following features:

- Laser Class 1 compliance
- Support for the SFP+ cages on the 42C1820 adapter
- Standard SFP+ form factor for multimode Fiber SR

Specifications

The Brocade 10Gb CNA for IBM System x has the following specifications:

- Connectivity: Supports direct-attach copper cabling or Brocade 10Gb SFP+ SR Optical Transceiver (49Y4216)
- Performance: 500,000 IOPS per port; Support for 2048 logins and 4096 exchanges
- Host interface: PCI Express 2.0 x8
- Stateless offload:
 - IPv4/IPv6,
 - TCP and UDP checksum offload
 - IPv4 header checksum offload
 - TCP Segmentation Offload (TSO)
 - Receive Side Scaling (RSS)
 - Large Send Offload (LSO)
 - Header data split
 - VLAN insertion/stripping
 - VLAN filtering
- Throughput: 10 Gbps full-duplex line rate
- Topology: Any 10 Gb Ethernet network
- Power dissipation: 12 W (Max)
- Transceivers: 10 Gbps small form factor pluggable (SFP+)
- Bracket size: Standard: 1.84 cm × 12.08 cm (.73 in × 4.76 in)
- Low profile: 1.84 cm × 8.01 cm (.73 in × 3.15 in)
- Management suite: Brocade Data Center Fabric Manager (DCFM)
- Form factor: Low-profile MD2 form factor PCI Express Card
- Dimensions: 16.77 cm × 6.89 cm (6.60 in × 2.71 in)

Operating environment

The adapter is supported in the following environment:

- Temperature:
 - Operating: 0° to 55°C (32° to 113°F) at 0 to 914 m (0 to 3000 ft)
 - Storage: -43° to 73°C (-40° to 163°F) at 0 to 914 m (0 to 3000 ft)
- Relative humidity: 5% to 93% (non-condensing)

Supported servers

The Brocade 10Gb CNA for IBM System x is supported in the IBM System x servers that are listed in Table 3.

Table 3. Supported System x servers (part 1)

Adapter	x3100 M3	x3200 M2	x3200 M3	x3250 M2	x3250 M3	x3350	x3400	x3400 M2	x3400 M3	x3455	x3500	x3500 M2	x3500 M3
Brocade 10Gb CNA for IBM System x	Y	Y	Y	Y	Y	Y	Y	Y	Y	Y	Y	Y	Y

Table 3. Supported System x servers (part 2)

Adapter	x3550 M2	x3550 M3	x3620 M3	x3630 M3	x3650	x3650 M2	x3650 M3	x3655	x3690 X5	x3755	x3755 M3	x3850 M2	x3950 M2	x3850 X5
Brocade 10Gb CNA for IBM System x	Y	Y	Y	Y	Y	Y	Y	Y	Y	Y	Y	Y	Y	Y

See IBM ServerProven for the latest information about the System x server that this adapter supports:
<http://ibm.com/servers/eserver/serverproven/compat/us/>

Popular configurations

This section illustrates how the Brocade 10Gb CNA for IBM System x can be used in configurations.

Figure 2 shows Brocade 10Gb CNA installed in a supported rack server. The server is connected to the IBM System Storage DS4700 via IBM Converged Switches B32.

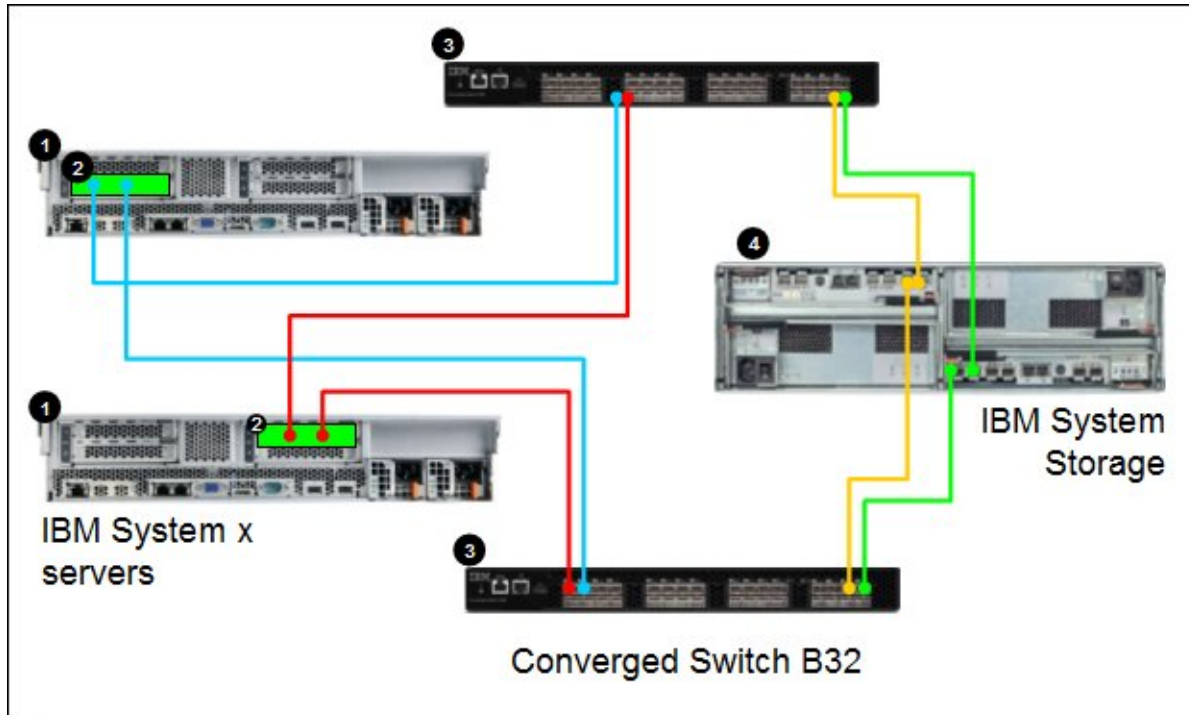


Figure 2. x3650 M2 server with Brocade 10Gb CNA connected to an external IBM System Storage DS4700

The parts used are listed in Table 4.

Table 4. Components used when connecting Brocade 10Gb CNA to external disk storage (Figure 2)

Diagram reference	Part number/machine type	Description	Quantity
1	Varies	Supported server	2
2	42C1820	Brocade 10Gb CNA for IBM System x	2
2	49Y4216	Brocade 10Gb SFP+ SR Optical Transceiver	4
3	3758 B32	IBM Converged Switch B32	2
4	1814-70A or 1814-70H	IBM System Storage DS4700 (Model 70 or Model 72)	1

This configuration also requires cabling between the servers and the IBM Converged Switches B32 and between the IBM Converged Switches B32 and storage system. (The cable part numbers are not listed in Table 3.)

The Brocade 10Gb CNA for IBM System x, combined with the top-of-rack IBM Converged Switch B32 (Brocade 8000 FCoE switch) and Brocade Data Center Fabric Manager (DCFM), provide a powerful 10 Gbps solution that improves TCO by consolidating FC and Ethernet traffic through FCoE. This new technology helps organizations significantly reduce their power, cooling, and cabling costs through the use of a single adapter.

Supported operating systems

The Brocade 10Gb CNA for IBM System x supports the following operating systems:

- Microsoft Windows Server 2003, Web Edition
- Microsoft Windows Server 2003/2003 R2, Datacenter Edition
- Microsoft Windows Server 2003/2003 R2, Datacenter x64 Edition
- Microsoft Windows Server 2003/2003 R2, Enterprise Edition
- Microsoft Windows Server 2003/2003 R2, Enterprise x64 Edition
- Microsoft Windows Server 2003/2003 R2, Standard Edition
- Microsoft Windows Server 2003/2003 R2, Standard x64 Edition
- Microsoft Windows Server 2008 R2
- Microsoft Windows Server 2008, Datacenter x64 Edition
- Microsoft Windows Server 2008, Datacenter x86 Edition
- Microsoft Windows Server 2008, Enterprise x64 Edition
- Microsoft Windows Server 2008, Enterprise x86 Edition
- Microsoft Windows Server 2008, Standard x64 Edition
- Microsoft Windows Server 2008, Standard x86 Edition
- Microsoft Windows Server 2008, Web x64 Edition
- Microsoft Windows Server 2008, Web x86 Edition
- Red Hat Enterprise Linux 4 AS for AMD64/EM64T
- Red Hat Enterprise Linux 4 ES for AMD64/EM64T
- Red Hat Enterprise Linux 4 WS/HPC for AMD64/EM64T
- Red Hat Enterprise Linux 5 Server Edition
- Red Hat Enterprise Linux 5 Server x64 Edition
- Red Hat Enterprise Linux 6 Server x64 Edition
- SUSE LINUX Enterprise Server 10 for AMD64/EM64T
- SUSE LINUX Enterprise Server 11 for AMD64/EM64T

- SUSE LINUX Enterprise Server 11 for x86
- VMware ESX 4.1

See IBM ServerProven for the latest information about the specific versions and service packs that are supported. Select the system x server and then select the adapter to see the supported operating systems.

<http://ibm.com/servers/eserver/serverproven/compat/us/>

Warranty

The adapter has a 1-year limited warranty. When installed in a System x server these cards assume your system's base warranty and any IBM ServicePac upgrade.

Related publications

For more information refer to the following resources.

Brocade documentation:

- Brocade Adapters Administrator's Guide
- Brocade Adapters Installation and Reference Manual
- Brocade FCoE CNA Quick Installation Guide
- Brocade Fiber Channel HBA Quick Installation Guide
- Brocade Adapters Troubleshooting Guide
- Release Notes for Software Release v2.0.0.0

Available from: <http://www.brocade.com/services-support/drivers-downloads/CNA/IBM.page#Docs>

IBM documentation:

- 10Gb CNAs for IBM System x product page
<http://ibm.com/systems/storage/product/systemx/cna>
- IBM US Announcement Letter for the Brocade 10Gb CNA
<http://ibm.com/common/ssi/cgi-bin/ssialias?infotype=dd&subtype=ca&&htmlfid=897/ENUS109-313>
- IBM System x Configuration and Options Guide
<http://www.ibm.com/support/docview.wss?uid=psg1SCOD-3ZVQ5W>

Notices

This information was developed for products and services offered in the U.S.A.

IBM may not offer the products, services, or features discussed in this document in other countries. Consult your local IBM representative for information on the products and services currently available in your area. Any reference to an IBM product, program, or service is not intended to state or imply that only that IBM product, program, or service may be used. Any functionally equivalent product, program, or service that does not infringe any IBM intellectual property right may be used instead. However, it is the user's responsibility to evaluate and verify the operation of any non-IBM product, program, or service. IBM may have patents or pending patent applications covering subject matter described in this document. The furnishing of this document does not give you any license to these patents. You can send license inquiries, in writing, to:

IBM Director of Licensing, IBM Corporation, North Castle Drive, Armonk, NY 10504-1785 U.S.A.

The following paragraph does not apply to the United Kingdom or any other country where such provisions are inconsistent with local law: INTERNATIONAL BUSINESS MACHINES CORPORATION PROVIDES THIS PUBLICATION "AS IS" WITHOUT WARRANTY OF ANY KIND, EITHER EXPRESS OR IMPLIED, INCLUDING, BUT NOT LIMITED TO, THE IMPLIED WARRANTIES OF NON-INFRINGEMENT, MERCHANTABILITY OR FITNESS FOR A PARTICULAR PURPOSE. Some states do not allow disclaimer of express or implied warranties in certain transactions, therefore, this statement may not apply to you. This information could include technical inaccuracies or typographical errors. Changes are periodically made to the information herein; these changes will be incorporated in new editions of the publication. IBM may make improvements and/or changes in the product(s) and/or the program(s) described in this publication at any time without notice.

Any references in this information to non-IBM Web sites are provided for convenience only and do not in any manner serve as an endorsement of those Web sites. The materials at those Web sites are not part of the materials for this IBM product and use of those Web sites is at your own risk. IBM may use or distribute any of the information you supply in any way it believes appropriate without incurring any obligation to you. Information concerning non-IBM products was obtained from the suppliers of those products, their published announcements or other publicly available sources. IBM has not tested those products and cannot confirm the accuracy of performance, compatibility or any other claims related to non-IBM products. Questions on the capabilities of non-IBM products should be addressed to the suppliers of those products. This information contains examples of data and reports used in daily business operations. To illustrate them as completely as possible, the examples include the names of individuals, companies, brands, and products. All of these names are fictitious and any similarity to the names and addresses used by an actual business enterprise is entirely coincidental.

Any performance data contained herein was determined in a controlled environment. Therefore, the results obtained in other operating environments may vary significantly. Some measurements may have been made on development-level systems and there is no guarantee that these measurements will be the same on generally available systems. Furthermore, some measurement may have been estimated through extrapolation. Actual results may vary. Users of this document should verify the applicable data for their specific environment.

COPYRIGHT LICENSE:

This information contains sample application programs in source language, which illustrate programming techniques on various operating platforms. You may copy, modify, and distribute these sample programs in any form without payment to IBM, for the purposes of developing, using, marketing or distributing application programs conforming to the application programming interface for the operating platform for which the sample programs are written. These examples have not been thoroughly tested under all conditions. IBM, therefore, cannot guarantee or imply reliability, serviceability, or function of these programs.

© Copyright International Business Machines Corporation 2009. All rights reserved.

Note to U.S. Government Users Restricted Rights -- Use, duplication or disclosure restricted by GSA ADP Schedule Contract with IBM Corp.

This document was created or updated on June 16, 2011.

Send us your comments in one of the following ways:

- Use the online **Contact us** review form found at:
ibm.com/redbooks
- Send your comments in an e-mail to:
redbook@us.ibm.com
- Mail your comments to:
IBM Corporation, International Technical Support Organization
Dept. HYTD Mail Station P099
2455 South Road
Poughkeepsie, NY 12601-5400 U.S.A.

This document is available online at <http://www.ibm.com/redbooks/abstracts/tips0718.html> .

Trademarks

IBM, the IBM logo, and ibm.com are trademarks or registered trademarks of International Business Machines Corporation in the United States, other countries, or both. These and other IBM trademarked terms may also be registered or common law trademarks in other countries. A current list of IBM trademarks is available on the Web at <http://www.ibm.com/legal/copytrade.shtml>

The following terms are trademarks of the International Business Machines Corporation in the United States, other countries, or both:

IBM®
Redbooks (logo)®
ServerProven®
ServicePac®
System x®

The following terms are trademarks of other companies:

Brocade, and the Brocade B-wing symbol are trademarks or registered trademarks of Brocade Communications Systems, Inc., in the United States and other countries.

SUSE, the Novell logo, and the N logo are registered trademarks of Novell, Inc. in the United States and other countries.

Red Hat, and the Shadowman logo are trademarks or registered trademarks of Red Hat, Inc. in the U.S. and other countries.

VMware, the VMware "boxes" logo and design are registered trademarks or trademarks of VMware, Inc. in the United States and/or other jurisdictions.

Microsoft, Windows Server, Windows, and the Windows logo are trademarks of Microsoft Corporation in the United States, other countries, or both.

Linux is a trademark of Linus Torvalds in the United States, other countries, or both.

Other company, product, or service names may be trademarks or service marks of others.